

Reversing, Three Pole Contactors With AC Coil, Series CAU8 (Open type only) ①②

I _e [A]	Ratings for Switching AC Motors (AC2 / AC3 / AC4)										Auxiliary Contacts per Contactor		Open Type
	3 Ø kW (50 Hz)				UL/CSA HP (60 Hz)								
					1 Ø ⑦		3 Ø				NO	NC	
40°C													
AC-1	230V	400V 415V	500V	690V	115V	230V	200V	230V	460V	575V			
20	3	4	4	4	1/2	1-1/2	2	2	5	5	0	1	CAU8-09-02-∗-LW
											2	1	CAU8-09-42-∗-PW
20	3	5.5	5.5	5.5	3/4	2	3	3	7-1/2	7-1/2	0	1	CAU8-12-02-∗-LW
											2	1	CAU8-12-42-∗-PW



CAU8...LW Includes:

- Mechanical interlock (CM8)

CAU8...PW Includes:

- Mechanical and electrical interlock (CM8) ②
- Reversing power and control wiring (using Wiring Kit Cat.# CAUT8-PW)
- Top mount auxiliary contact block (Cat.# CA8-P20 on the -42- models)

Reversing, Three Pole Contactors With DC Coil, Series CAU8 (Open type only) ①②

I _e [A]	Ratings for Switching AC Motors (AC2 / AC3 / AC4)										Auxiliary Contacts per Contactor		Open Type
	3 Ø kW (50 Hz)				UL/CSA HP (60 Hz)								
					1 Ø ⑦		3 Ø				NO	NC	
40°C													
AC-1	230V	400V 415V	500V	690V	115V	230V	200V	230V	460V	575V			
20	3	4	4	4	1/2	1-1/2	2	2	5	5	0	1	CAU8-09C-02-∗-LW
											2	1	CAU8-09C-42-∗-PW
20	3	5.5	5.5	5.5	3/4	2	3	3	7-1/2	7-1/2	0	1	CAU8-12C-02-∗-LW
											2	1	CAU8-12C-42-∗-PW

AC Coil Codes ①③

AC Coil Code	Voltage Range	
	50 Hz	60 Hz
12	12V	12V
24Z	24V	24V
48	48V	48V
120	110V	120V
208	200V-220V	208V-240V
240	240V	240V
380 ⑤	Use Coil Code 400	
400 ⑤	400V	400V
480	440V	480V
575 ⑤	Use Coil Code 600	
600 ⑤	525V	600V

DC Coil Codes ①③


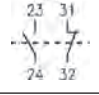
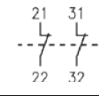
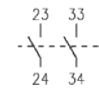
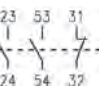
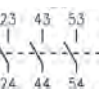

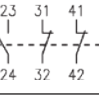
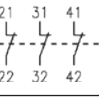
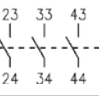
DC Coil Code	Voltage
12D	12V
24D	24V ⑤
48D	48V
110D	110V
125D	125V
220D	220V


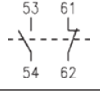
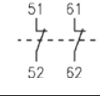
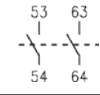
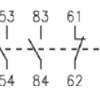
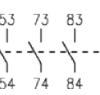

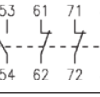
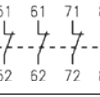
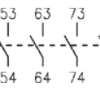
Ordering Instructions

Specify Catalog Number	
Replace (∗) with Coil Code	See Coil Codes on this page

- ① CA8 not available without coil. Coils and contacts not replaceable.
- ② Internal NC contacts on each contactor are used for electrical interlocking.
- ③ The coil codes shown are the most commonly stocked items. Contact your Sprecher + Schuh representative to determine if other voltages are required.
- ④ Integrated diode surge suppressor coils available. Order coil code **24DD** and add \$84 to list price. Ex: CAU8-09C-02-**24D** becomes CAU8-09C-02-**24DD**.
- ⑤ The European Community has agreed that 400V is the nominal voltage in lieu of 380V. Use this code when 380V is required.
- ⑥ Use this code for 575V applications.
- ⑦ Does not apply to CAU8...-PW.

Auxiliary Contact Blocks (2 & 4 Pole) ①

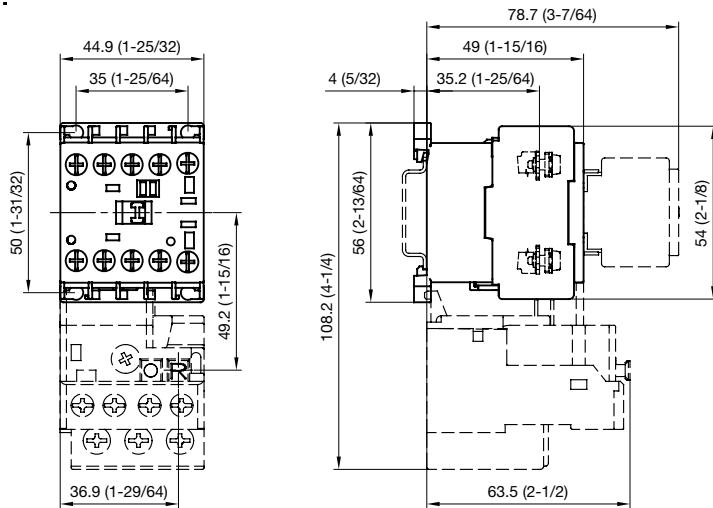
Auxiliary Contact Blocks	NO	NC	Contact Arrangement	Catalog No.
 2-Pole Typical auxiliary contact block	1	1		CA8-P11
	0	2		CA8-P02
	2	0		CA8-P20
	2	2		CA8-P22
	3	1		CA8-P31
 4-Pole	1	3		CA8-P13
	0	4		CA8-P04
	4	0		CA8-P40

Auxiliary Contact Blocks	NO	NC	Contact Arrangement	Catalog No.
 2-Pole Typical auxiliary contact block	1	1		CS8-P11E
	0	2		CS8-P02E
	2	0		CS8-P20E
	2	2		CS8-P22Z
	3	1		CS8-P31Z
 4-Pole	1	3		CS8-P13E
	0	4		CS8-P04E
	4	0		CS8-P40E

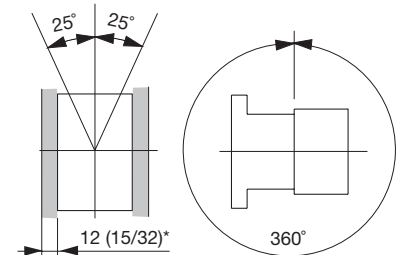
① Auxiliary contacts mirror contact performance per IEC 60947-4-1. Contacts are bifurcated (H-bridge) with a minimum rating of 2mA @ 15V.

Series CA8 & Series CAU8 (Contactors & Reversing Contactors)

Dimensions are in millimeters (inches). Dimensions not intended for manufacturing purposes.

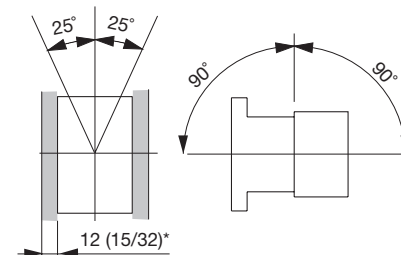


Mounting Position without Accessories



* Minimum distance to grounded parts or walls

Mounting Position with Accessories



* Minimum distance to grounded parts or walls

Reversing Contactors & Accessories

Contactor with...	Dim. [mm]	Dim. [inches]
reversing with mechanical interlock	89.8	3.53
with aux. contact block	78.7	3.1
with timer		
on contactor	81.7	3.25
at side of contactor	66.9	2.63
with neutral terminal		
at side of contactor	64.9	2.56
with protection element		
with nameplate	51	2